

# Pressure Test System TP1-40



**-1 to 40 bar / 600 psi Pneumatic Pressure and Vacuum**



## FEATURES

- Dual source of pneumatic pressure and vacuum.
- Fully portable hand operated unit supplied as a complete kit.
- Generating up to 40 bar pressure or -0.960 bar / 29 in Hg vacuum.
- Adjustable stroke to provide over pressure protection.
- Quick fit instruments are available to use with the system including electronic calibrators, digital indicators and analogue gauges.
- The TP1- 40 is supplied in a light, high quality carrying case, with adaptors, a set of washers, seals and provision for additional instruments.

*The TP1- 40 Pressure Test System has been introduced to complement an already extensive range of pressure calibration products and can be used for calibration checks on pressure transmitters, pressure switches, indicators, recorders and controllers.*

*Calibration checks can be carried out simply by temporarily shutting off line pressure, selecting the digital indicator or test gauge required and connecting the instrument via the flexible hose and swivel adaptor to the pressure measuring instrument to be checked. The range of adaptors enables connection to most gauge threads.*

***TP1- 40 can be used as a portable Pressure Comparator in conjunction with various pressure indicating devices.***

***This precision unit now includes an adjustable over pressure protection system as standard.***

[www.si-pressure.com](http://www.si-pressure.com)

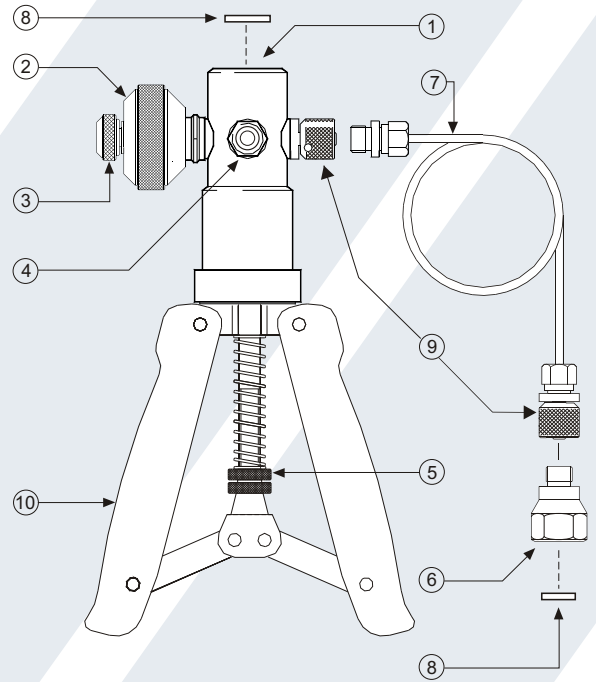
Tel: 0121 784 6855 (UK) Tel: +44 121 784 6855 (Int)  
Fax: 0121 784 4795 (UK) Fax: +44 121 784 4795 (Int)



# TP1 Specifications

## Key:

1. Pressure port - 3/8" BSP Parallel female connection to take master instruments e.g. digital or analogue gauge, PC6 Calibrator.
2. Fine adjustment valve.
3. Pressure release valve.
4. Pressure / Vacuum selector
5. Adjustable stroke for varying maximum pressure output (over pressure protection).
6. BSP or NPT adaptor set
7. Flexible hose to item under test.
8. Nylon seals for BSP adaptors ( see seal kit provided )  
**DO NOT use 'PTFE' tape for sealing with parallel threads**
9. Knurled 'quick-fit' connectors
10. Pump Handles



## Specification

<b>Output Pressure:</b>	0 to 40 bar / 0 to 600 psi (Adjustable)
<b>Output Vacuum:</b>	0 to -0.960 bar / 0 to -29 in Hg (Adjustable)
<b>Materials:</b>	Bright nickel plated brass, clear anodised aluminium, Nylon.
<b>Adjustment:</b>	Fine volumetric pressure / vacuum adjuster.
<b>Dimensions:</b>	220mm (L) x 105mm (W) x 63mm (D).
<b>Weight:</b>	650 grams.

## Instrument Options:

<b>Pressure Calibrator (PC6)</b>	<b>Accuracy FS:</b>
<b>Digital Test Gauge (DTG-2K)</b>	<b>0.05%, 0.025%</b>
<b>TPG Analogue Gauges</b>	<b>0.2%</b>
	<b>1.0%</b>

## Accuracy FS:

<b>0.05%, 0.025%</b>
<b>0.2%</b>
<b>1.0%</b>

## Ordering Codes

<b>TP1- 40</b>	Hand held pressure test system in rigid carrying case with 1 metre flexible hose and adaptor set
<b>PC6, PC6-PRO, PC6-IS, PC6-AV</b>	A range of Pressure Calibrators available between -1 and 40 bar
<b>DTG-2K</b>	A range of Digital Indicators up to 40 bar (600psi)
<b>TPG range</b>	A range of analogue gauges between -1 and 40 bar (600psi)
<b>TPK1</b>	Service kit containing a set of seals. 'O' rings, retaining screws and allen key
<b>LTPA-BSP-QF</b>	Set of 7 BSP 'quick-fit' adaptors
<b>LTPA-NPT-QF</b>	Set of 6 NPT 'quick-fit' adaptors

[www.si-pressure.com](http://www.si-pressure.com)

Tel: 0121 784 6855 (UK) Tel: +44 121 784 6855 (Int)  
 Fax: 0121 784 4795 (UK) Fax: +44 121 784 4795 (Int)

